

SGS

Controllable high-pressure fans

- Ventilating with counter-pressure
- Low energy consumption in the control range
- Low-noise
- Stable pressure in the control range
- Suitable for central exhaust systems, air scrubbers and manure drying systems
- A suitable solution for every situation
- IE3 motor
- Appropriate protection grille available



SGS high-pressure fans

Stienen SGS fans have been specially developed for easily controllable low-noise and energy-efficient ventilation, even with high counter-pressure. This makes the SGS fans ideally suited for central exhaust systems, possibly in combination with air scrubbers and manure drying systems. The fans (wall of fans) must always be positioned in front of the air scrubber. Stienen BE supplies nine different versions of SGS fans enabling to provide the best suitable solution for each situation!

Technical specifications

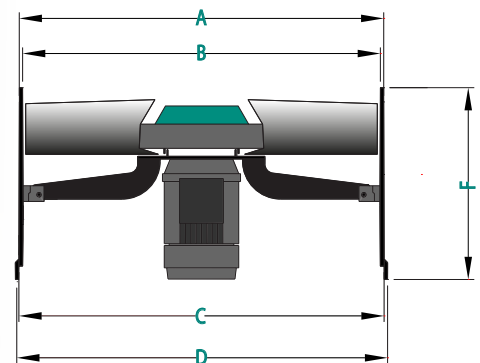
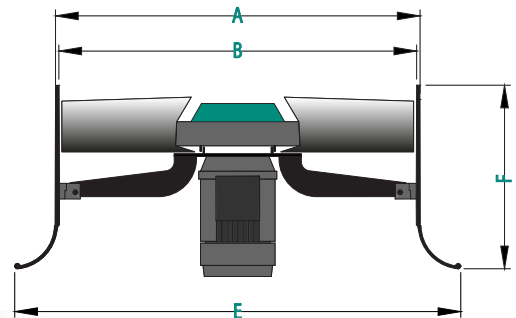
- Max. 960 RPM
- Low-noise level: i.e. 66 dB(A) with SGS-92H-D4S
- (measured on the blade's pressure side at a distance of 7m, under an angle of 45°)
- Pressure-stable, also at low speeds
- Available as ø 71, 82 and 92cm
- Available with 0.75, 1.1, 1.5 or 2.2kW motors
- With 2 or 4 blades
- Protection grille available (obligatory with mounting heights < 2.7m)
- Protection class: IP 56

Airflow of SGS fans in m³/h

Type	RPM	30 Pa	40 Pa	50 Pa	60 Pa	70 Pa	100 Pa	125 Pa	150 Pa	175 Pa	200 Pa	I-max
SGS-71H-A4X	900	16.090	15.990	15.550	15.130	14.180	13.950	x	x	x	x	2,3
SGS-82H-A2A	900	18.550	18.120	17.230	16.840	15.130	13.410	x	x	x	x	2,3
SGS-82H-B4A	900	20.150	19.990	19.830	18.980	18.550	17.270	x	x	x	x	3,3
SGS-82H-C4D	900	25.080	24.860	24.330	24.010	23.900	22.830	22.400	x	x	x	4,0
SGS-82H-C4E	900	23.150	22.610	22.510	22.290	21.970	21.550	20.690	19.830	17.266	x	4,0
SGS-92H-B2K	900	28.070	27.000	26.250	25.720	24.110	21.120	x	x	x	x	3,3
SGS-92H-B4L	900	24.860	24.860	24.110	23.580	22.610	21.150	x	x	x	x	3,3
SGS-92H-C4R	900	28.210	27.970	27.430	26.840	26.500	25.820	x	x	x	x	4,0
SGS-92H-D4S	900	33.230	32.730	32.250	31.820	31.390	30.100	28.390	27.540	25.820	24.970	6,0

Dimensions in mm

Type	A	B	C	D	E	F
SGS-71H-VAR	729	716	730	747	x	430
SGS-71H	729	716	x	x	872	412
SGS-82H-VAR	818	802	818	835	x	430
SGS-82H	818	802	x	x	1000	412
SGS-92H-VAR	930	920	931	947	x	430
SGS-92H	930	920	x	x	1116	412



Stienen BE, Agri Automation

Stienen BE is a leading family company (1977) which has its roots in livestock farming. It is in our nature to be very close to our end users. We are a global supplier of innovative automation solutions for poultry and pig houses. Our climate solutions, automation systems, management software and the accompanying peripheral equipment are all developed and produced in-house.